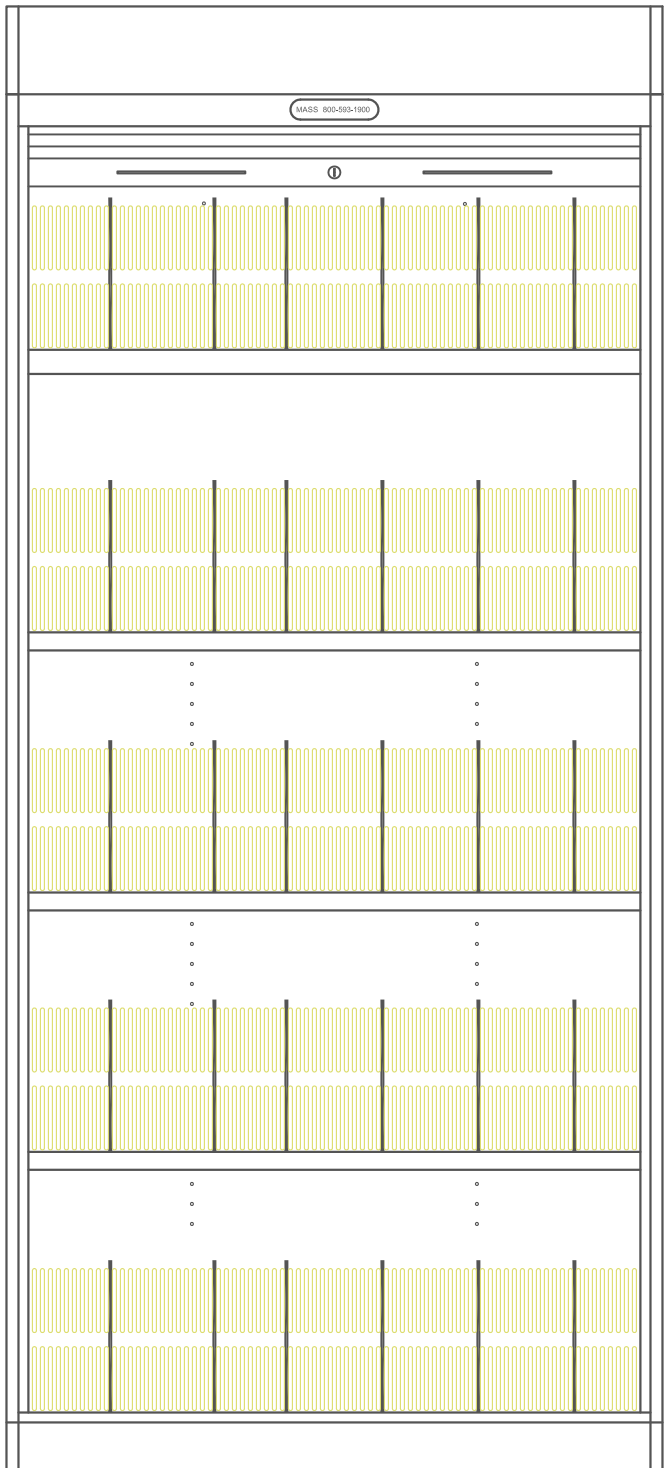


Item 1
M2200 MASS™ WALL STORAGE CABINET
 with FlexLok™ Door



41"

FlexLok™ Door
with Keyed Lock

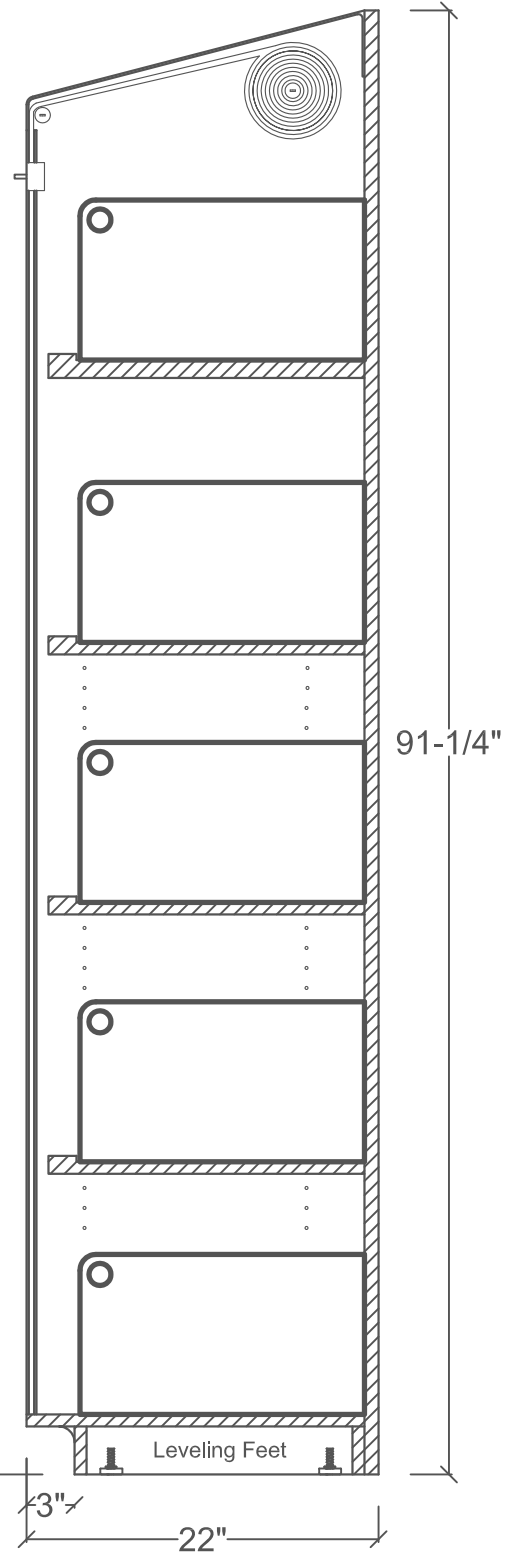
Upper Fixed
SlotShelf™ with 6
Adjustable Dividers

SlotShelf™ with 6
Adjustable Dividers
(M2255)

SlotShelf™ with 6
Adjustable Dividers
(M2255)

SlotShelf™ with 6
Adjustable Dividers
(M2255)

SlotShelf™ with 6
Adjustable Dividers
(M2255)



91-1/4"

3"

3"

Leveling Feet

22"

MASS Medical Storage
 14560 West 99th St.
 Lenexa, KS 66215 USA
 Fax 913-438-2275
 Toll Free 1-800-593-1900

Customer:				
Quote#:	Date:	Rev #:	Rev Date:	
Drawn By: BMF	MASS Apvd:	Customer Apvd:		