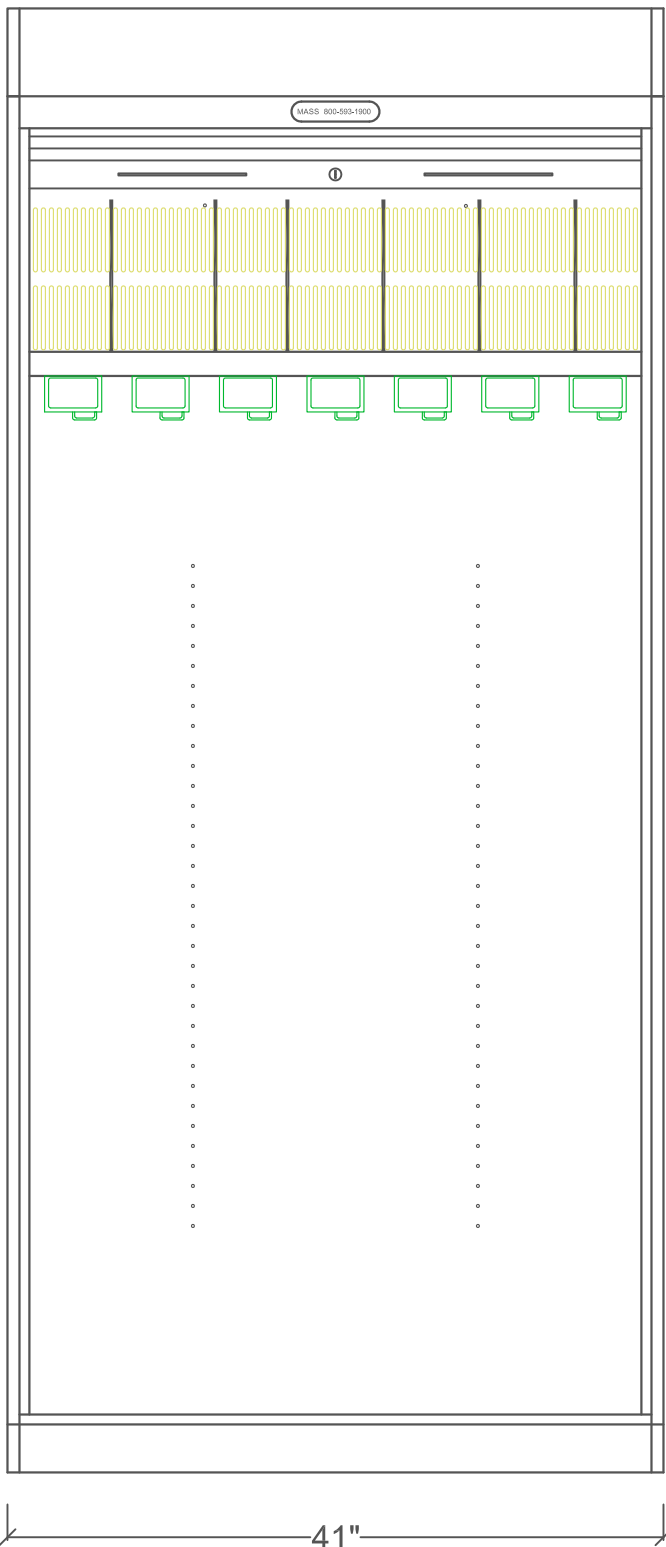


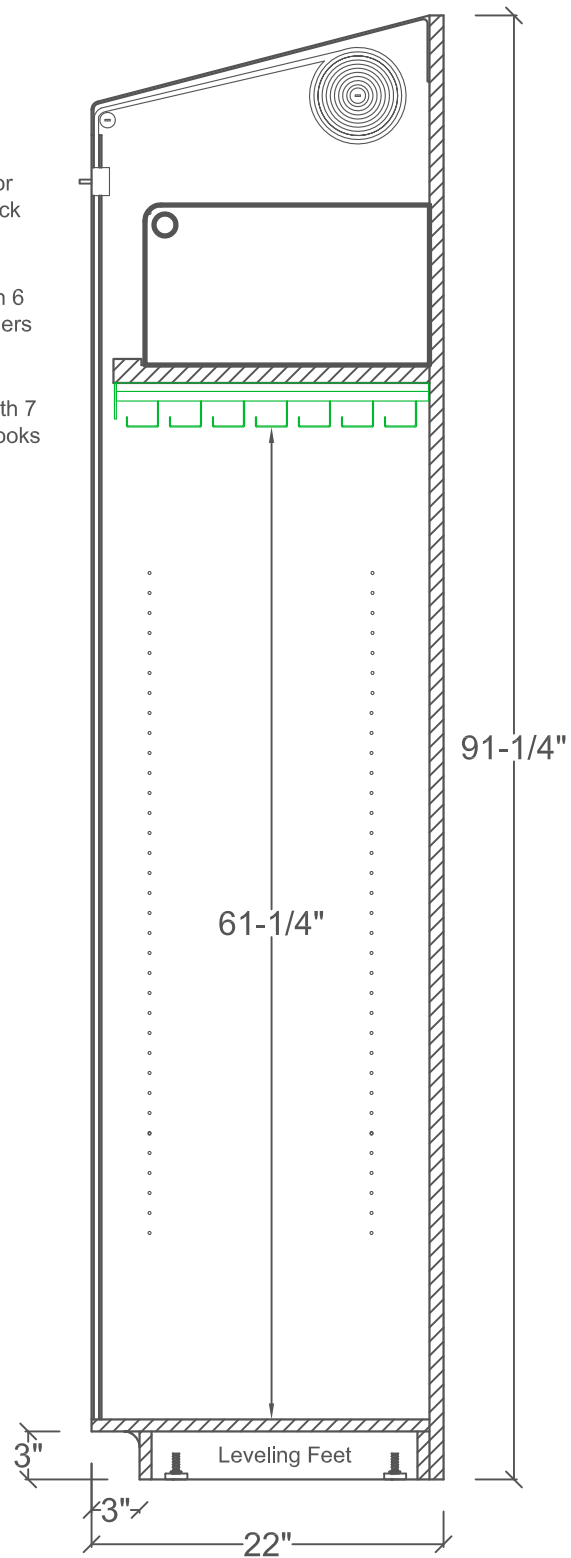
**Item**  
**M2200 MASS™ WALL STORAGE CABINET**  
**with FlexLok™ Door**



FlexLok™ Door  
with Keyed Lock

Upper Fixed  
SlotShelf™ with 6  
Adjustable Dividers

7 FIFOGlides with 7  
Rotating Cath Hooks  
(M2267)



**MASS** Medical Storage  
 14560 West 99th St.  
 Lenexa, KS 66215 USA  
 Fax 913-438-2275  
 Toll Free 1-800-593-1900

Customer:				
Quote#:	Date:	Rev #:	Rev Date:	
Drawn By: BMF	MASS Apvd:	Customer Apvd:		